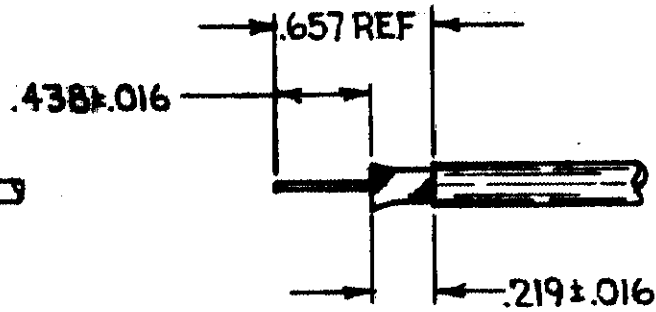
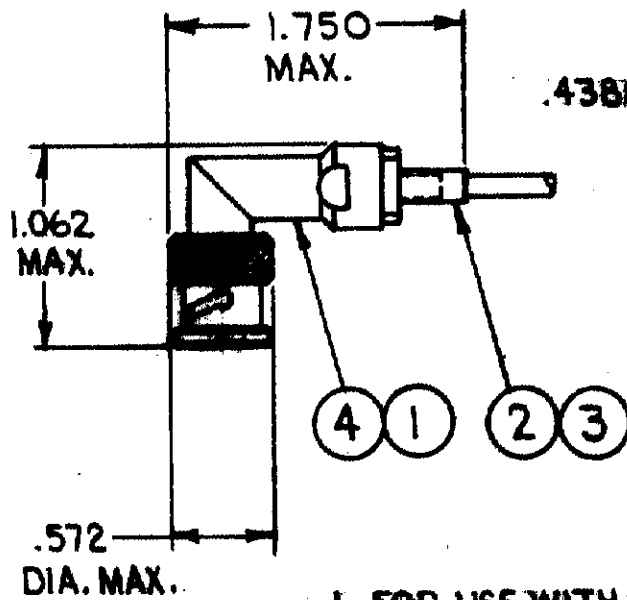


THIS DRAWING IS UNPUBLISHED. RELEASED FOR PUBLICATION  
 BY AMP INCORPORATED, HARRISBURG, PA. ALL INTERNATIONAL RIGHTS  
 RESERVED. AMP PRODUCTS MAY BE COVERED BY U.S. AND FOREIGN PATENTS AND/OR PATENTS PENDING.

REVISIONS					
P.	F.	UTR	DESCRIPTION	DATE	APPROVED
✓		G	REVISED/REDRAWN PER ECN C82-012	1-20-83	PK.
✓		H	REVISED PER ECN AJ-1056	2/18/85	MM PK 113



RECOMMENDED STRIP LENGTH

1. FOR USE WITH: RG-174/U & 188/U
2. USE CRIMPING TOOL: 69245-1
3. SEE I.S.: 1799-5

4	1	GASKET	2-329106-1
3	1	CRIMP END ASSY	50793-9
2	1	FERRULE	328666
1	1	PLUG ASSY, RIGHT ANGLE	330797
ITEM	QTY.	DESCRIPTION	PART NO

UNLESS OTHERWISE SPECIFIED DIMENSIONS ARE IN INCHES. TOLERANCES ON: DECIMALS ± .005 ANGLES ± .01

MATERIAL H

FINISH H

CONTRACT NO  
 DR P. Kerlin 4/20/83  
 CHK R. C. V. ... 5-5-83  
 APPD M. ... 4/14/84  
 DSGN APPD  
 OTHER APPD

**AMP** | AMP INCORPORATED  
 Harrisburg, Pa. 17105

NAME  
 CONNECTOR, COAXIAL, RF, PLUG,  
 RIGHT ANGLE, SERIES BNC

SIZE **A** FSCM NO **00779** DRAWING NO **331178**

SCALE **NTS** SHEET H